

FIG. 1

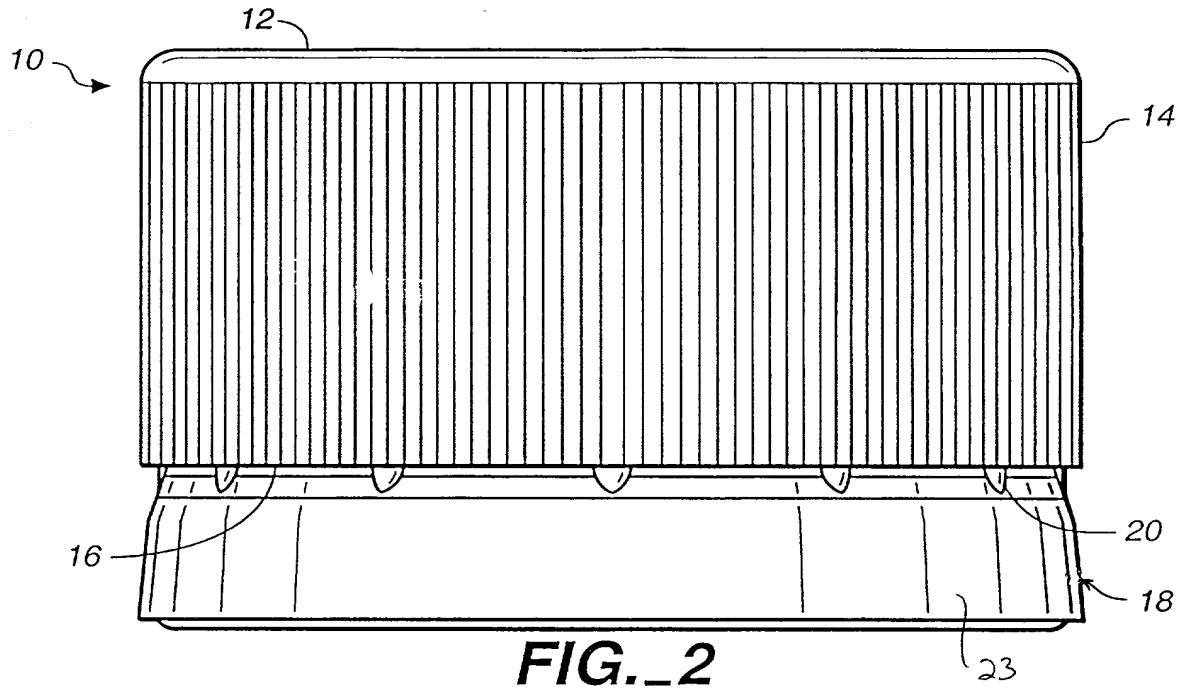


FIG. 2

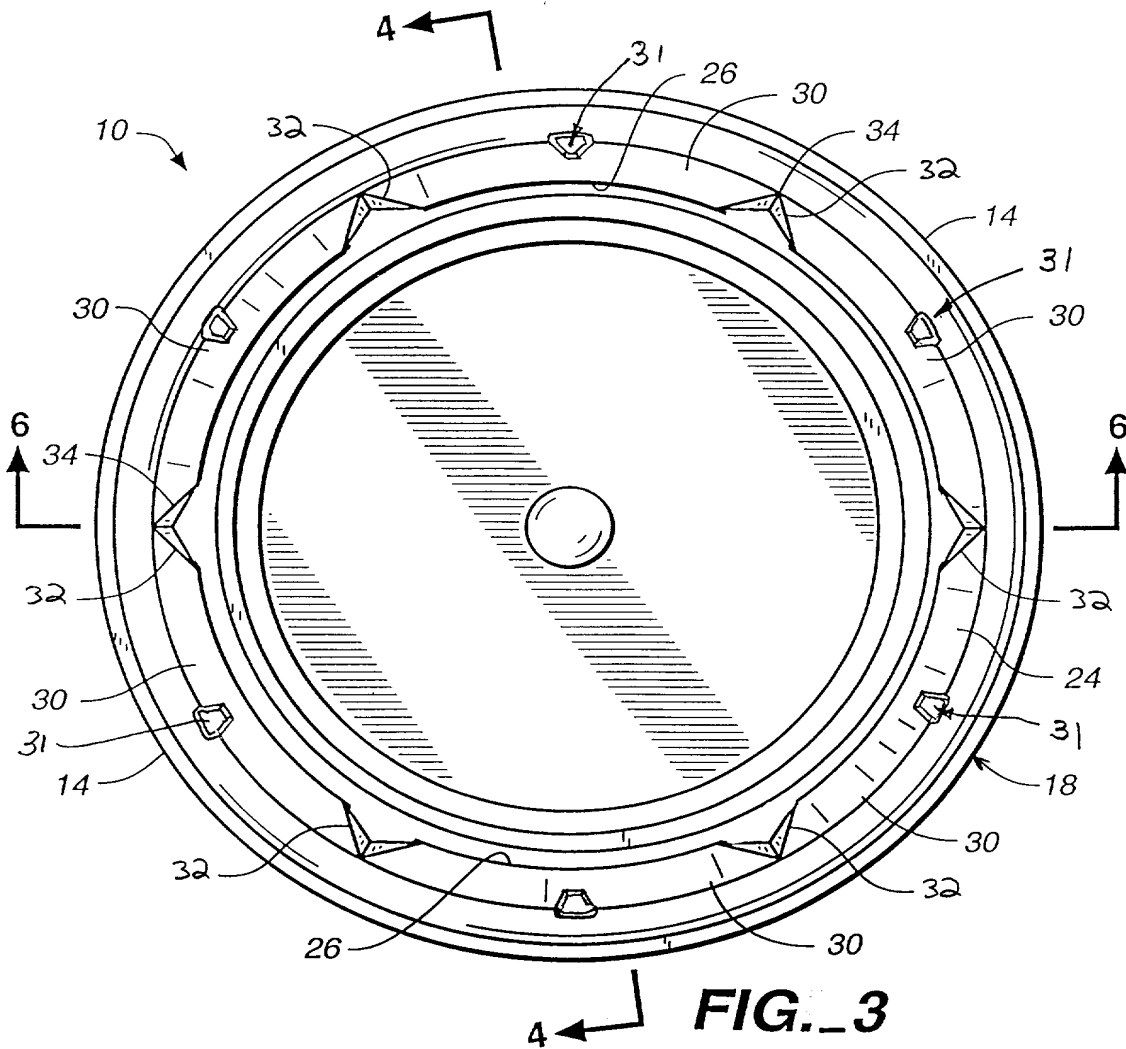


FIG. 3

FIG. 2

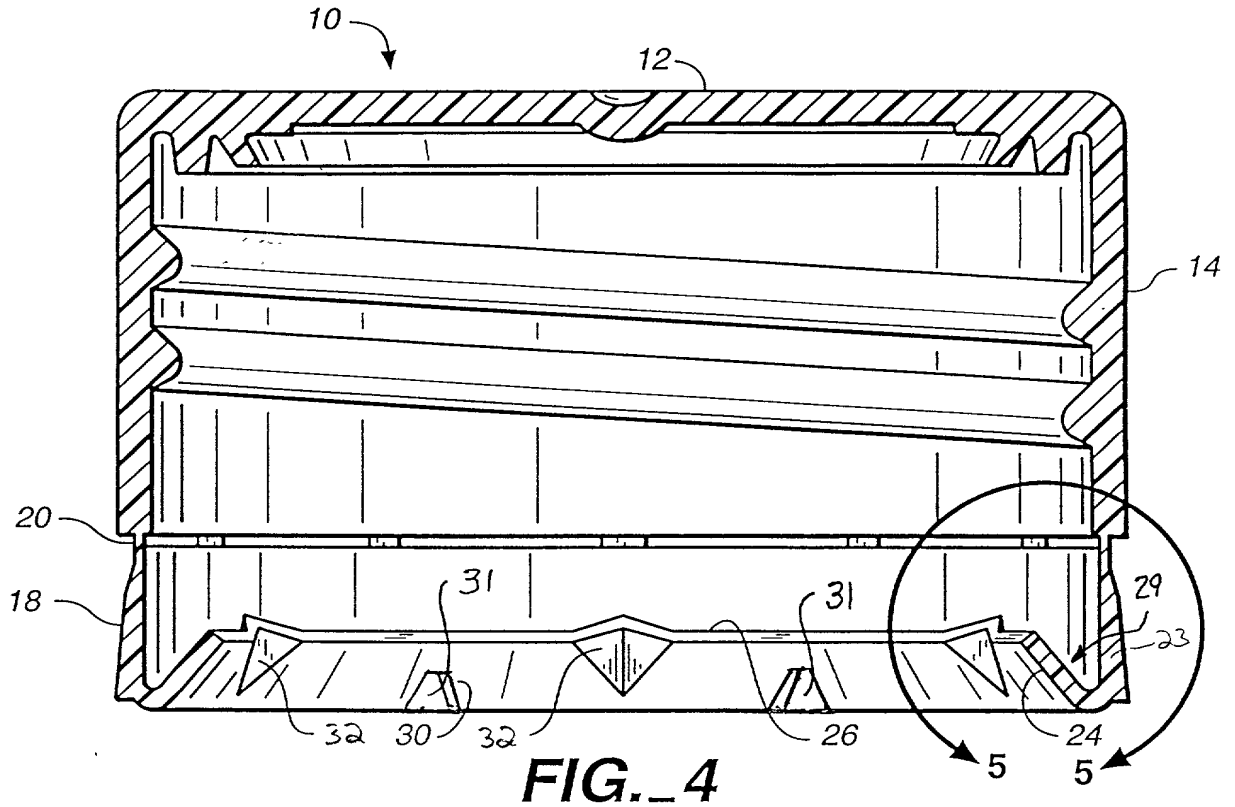


FIG._4

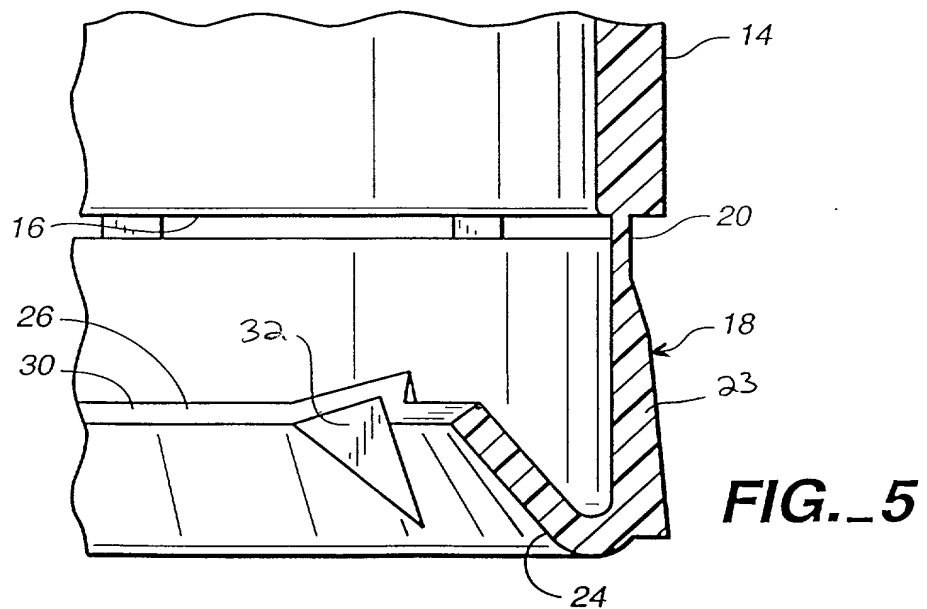


FIG._5

FOR OFFICIAL USE ONLY

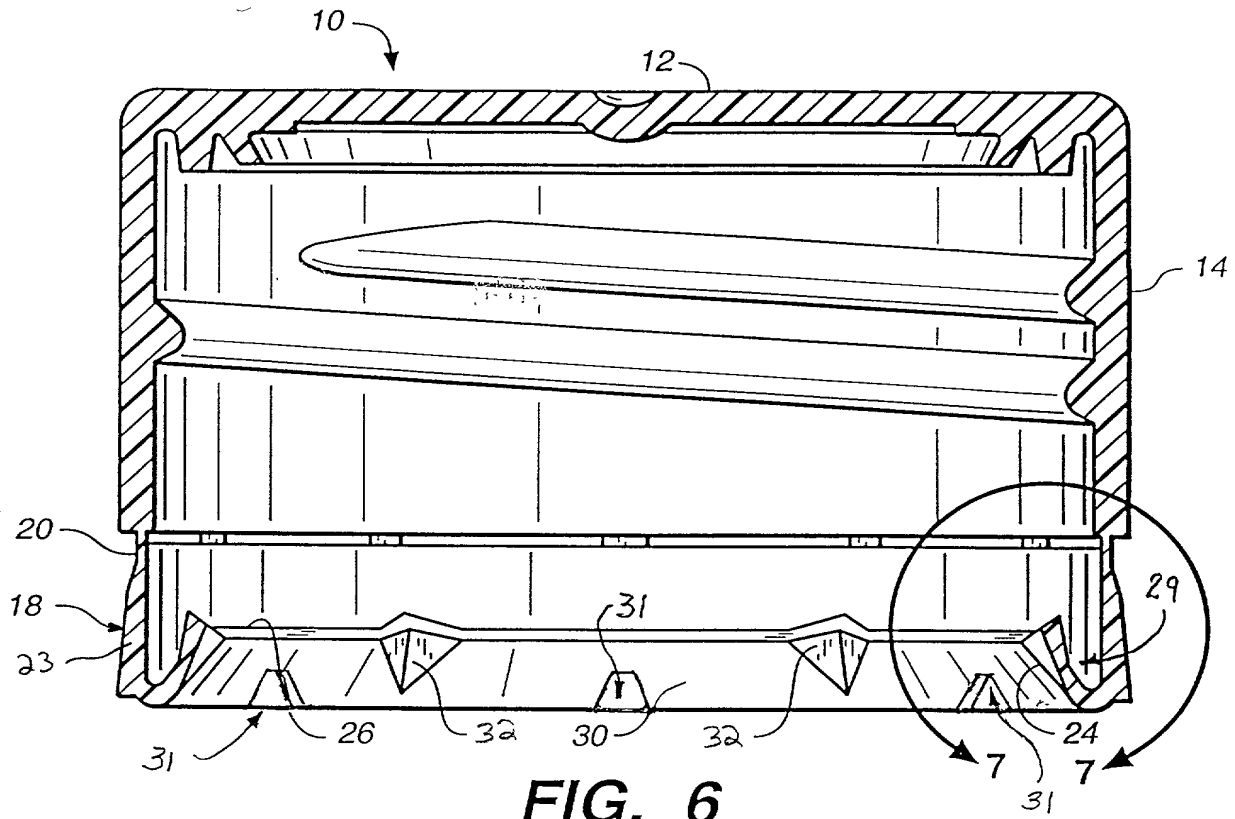


FIG. 6

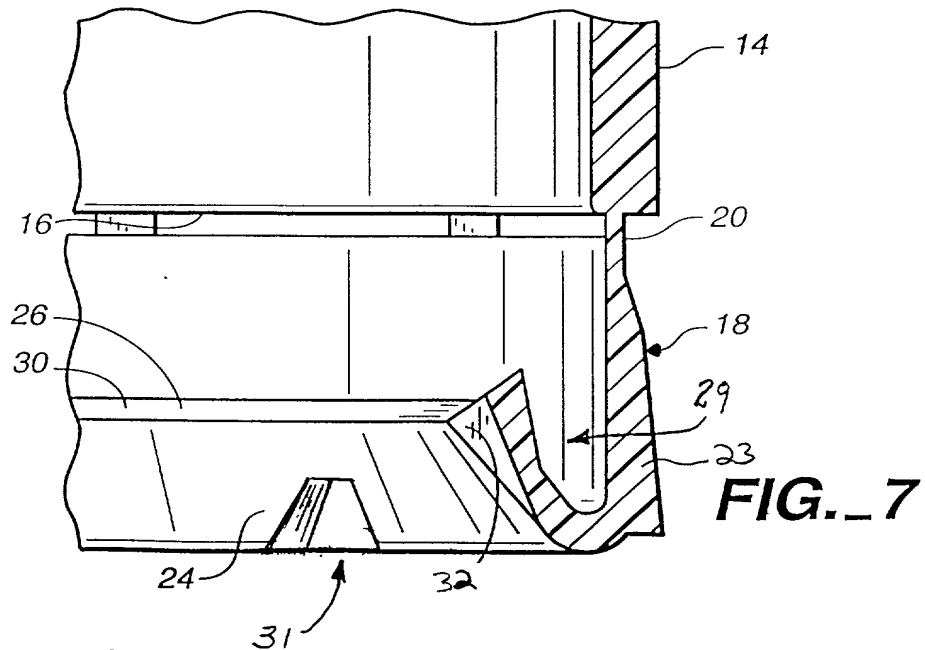


FIG. 7

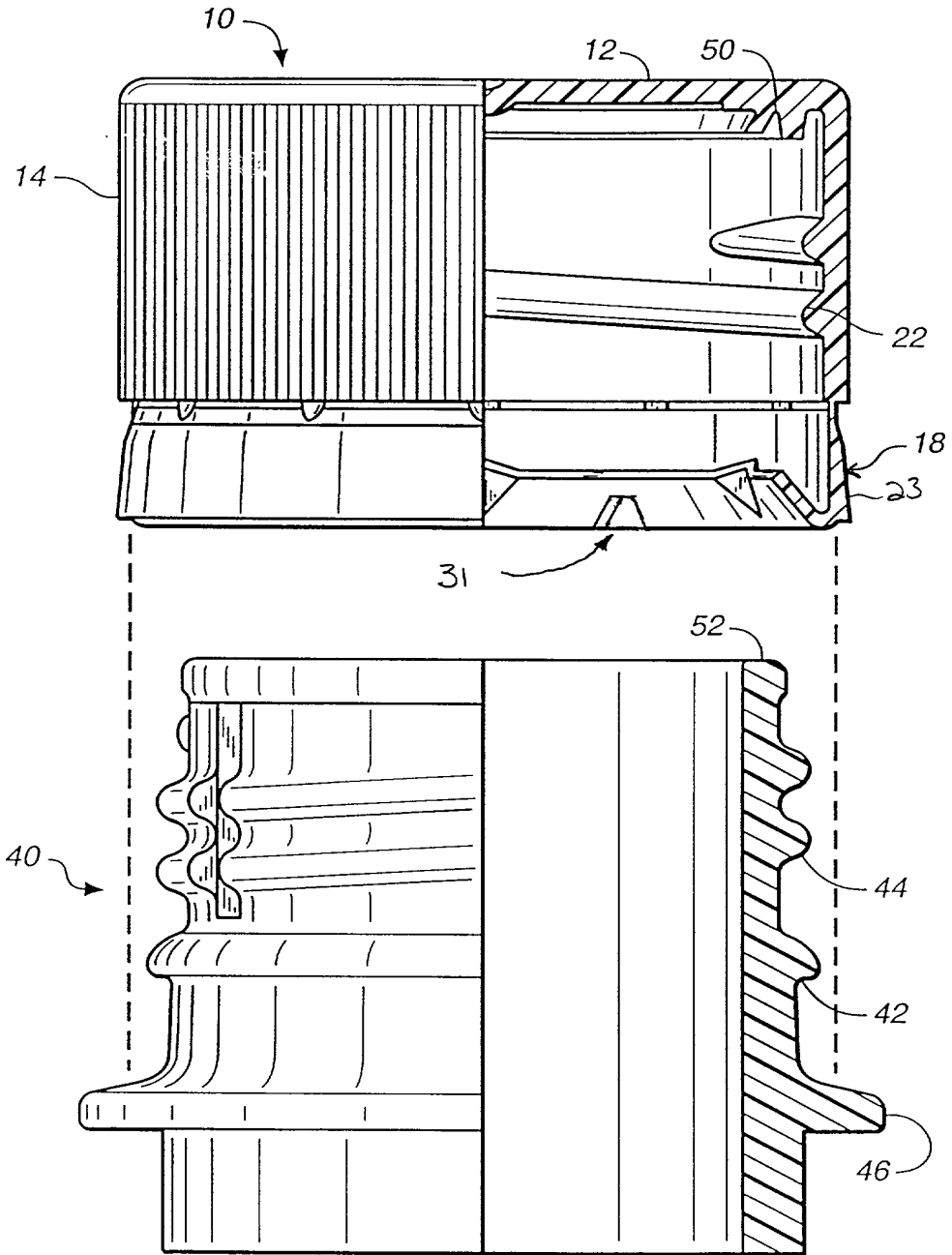


FIG. 8

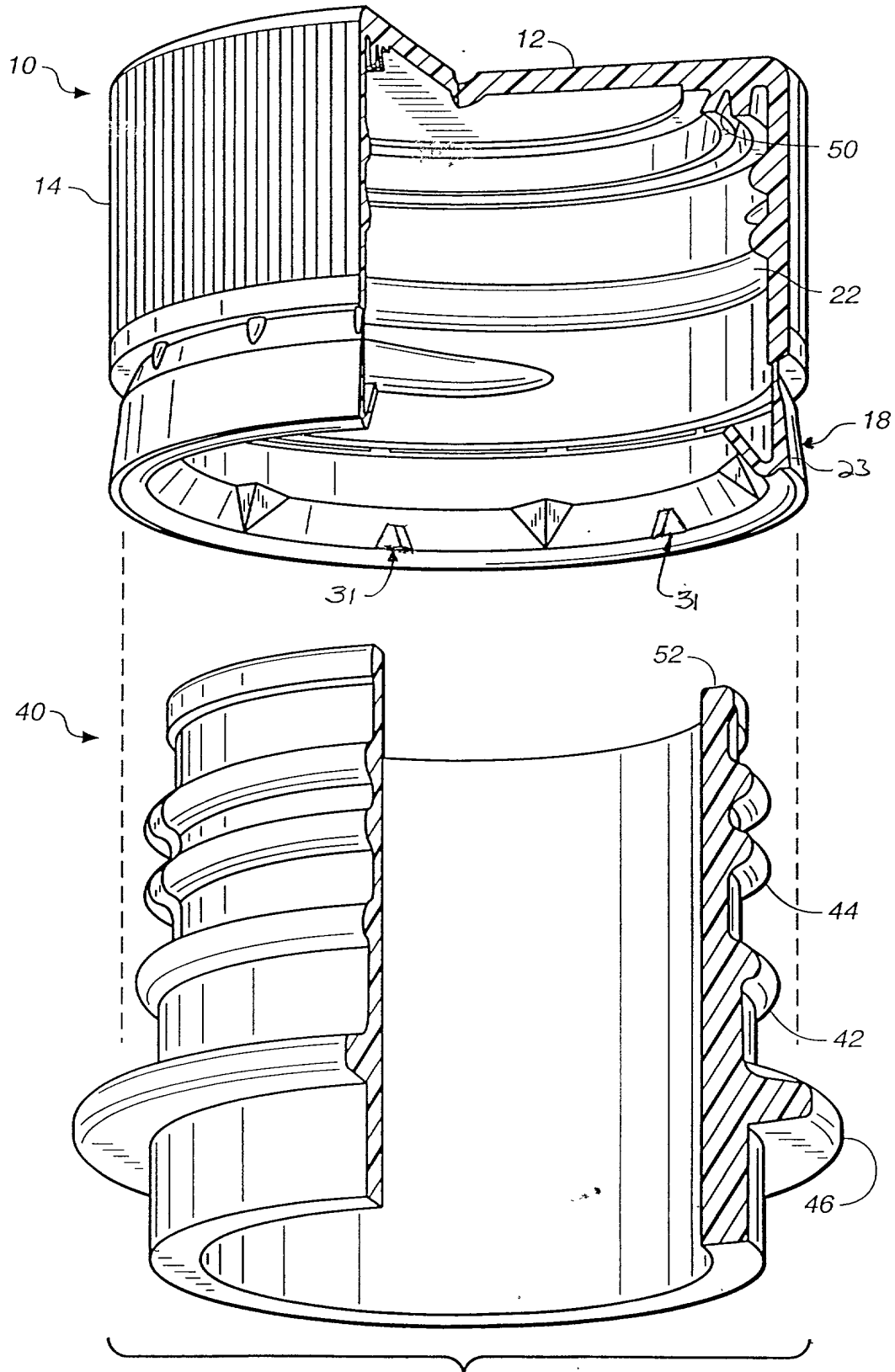


FIG. 9

FOR PAGES

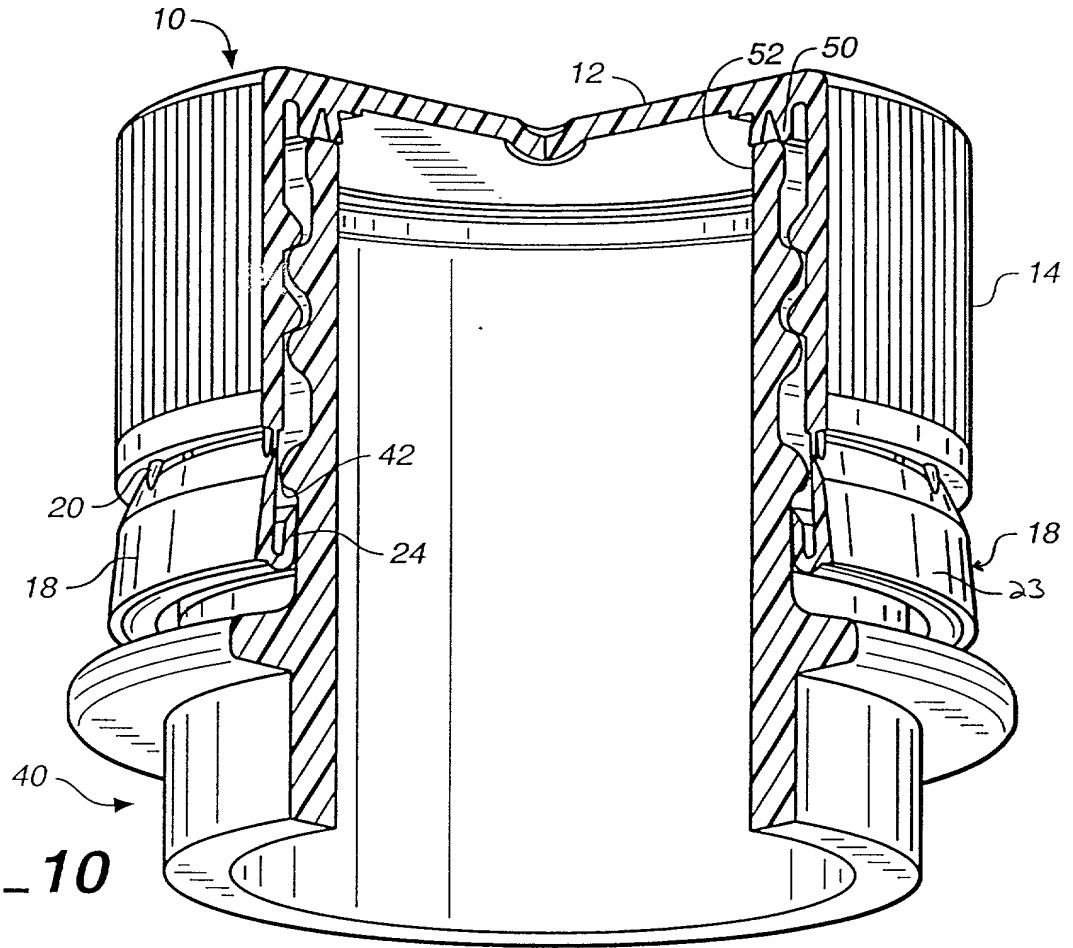


FIG. 10

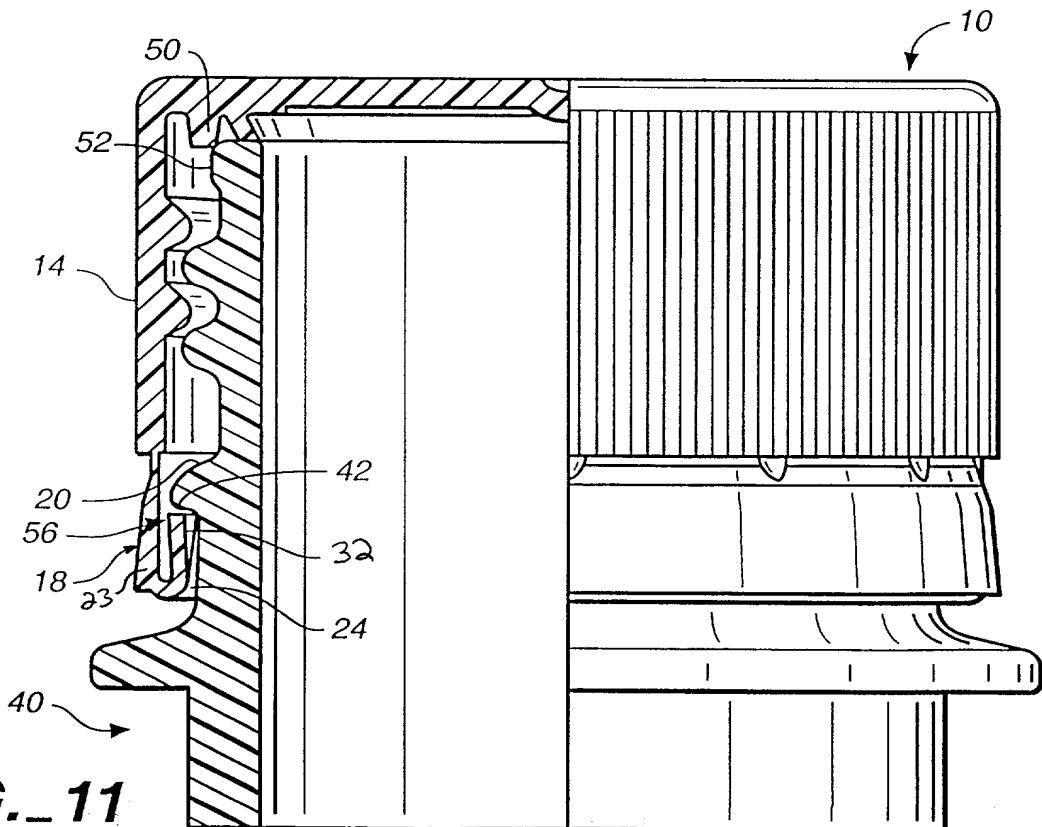


FIG. 11

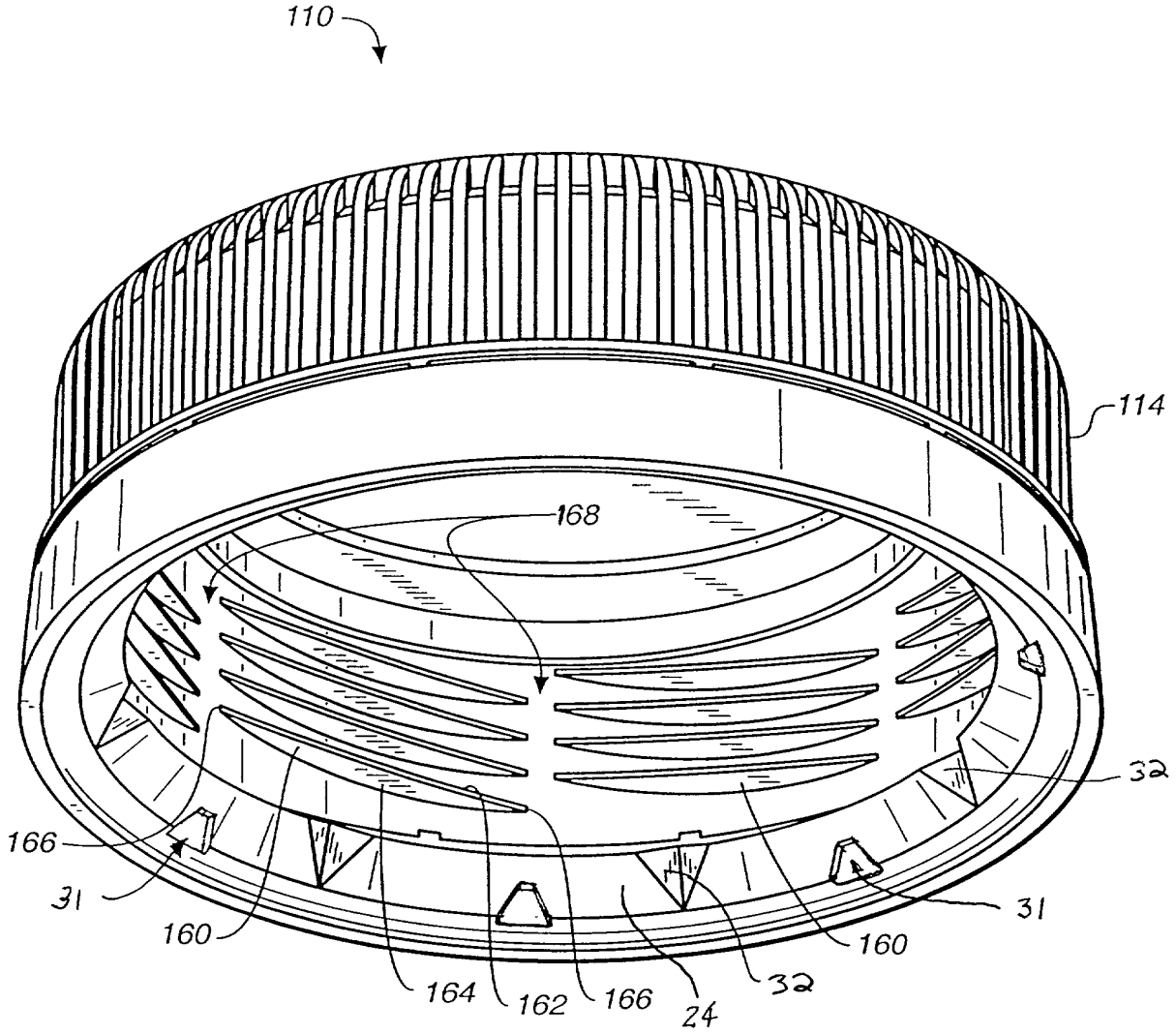


FIG. 12

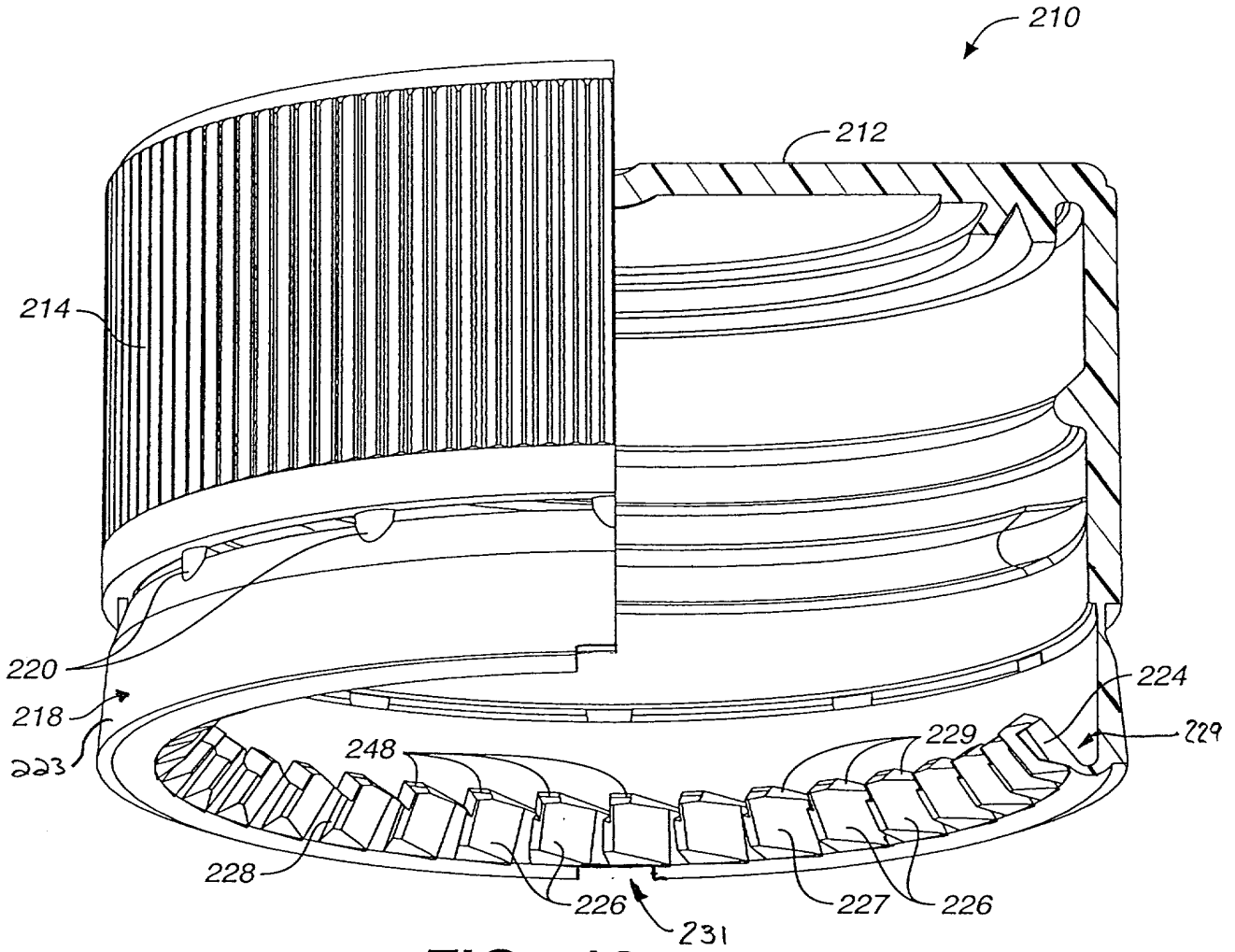


FIG. 13

TAMPER EVIDENCING CLOSURE
Mike Xiaoli MA
Docket No. A-64345-4/RBC/VEJ

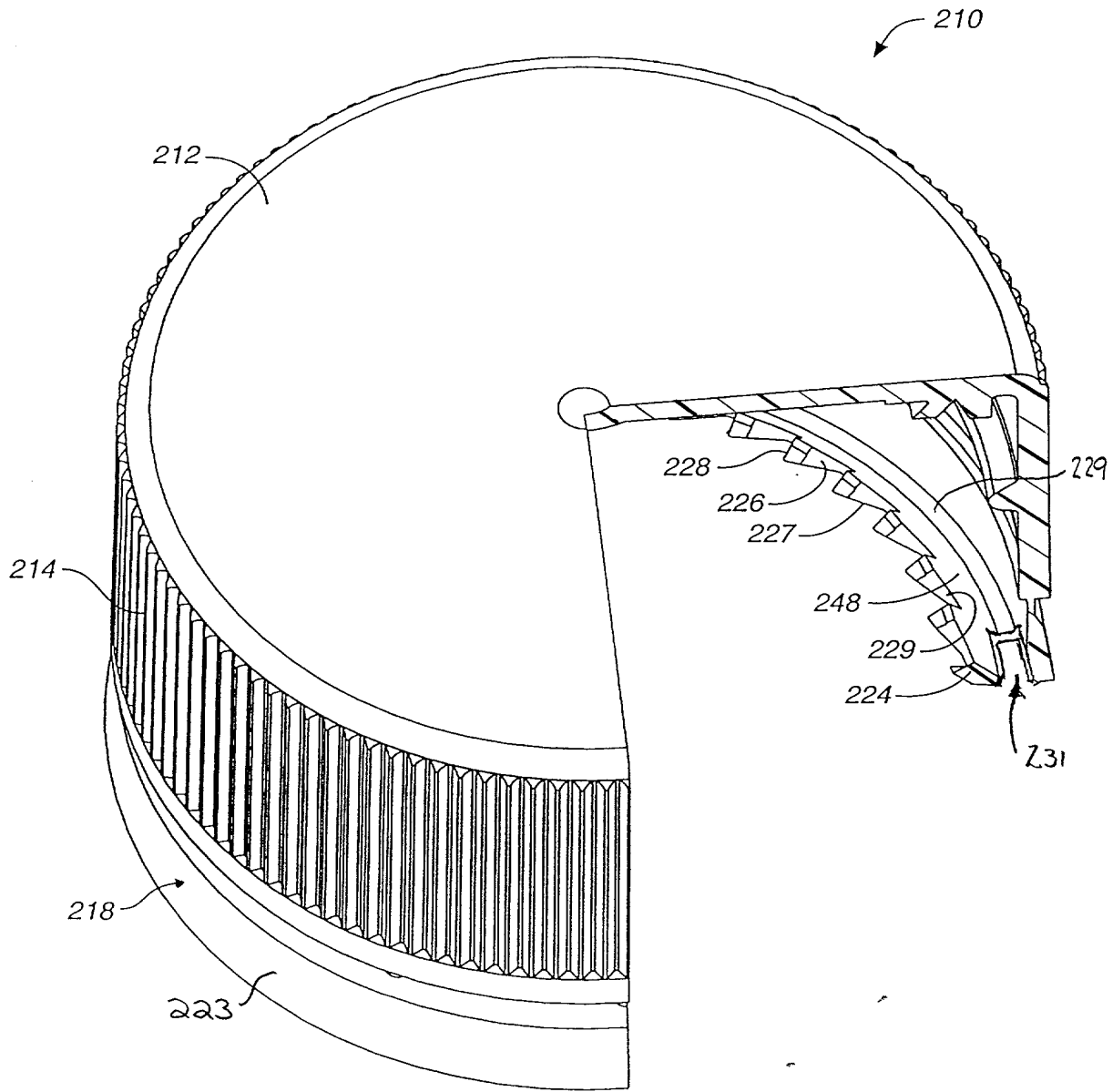


FIG. 14

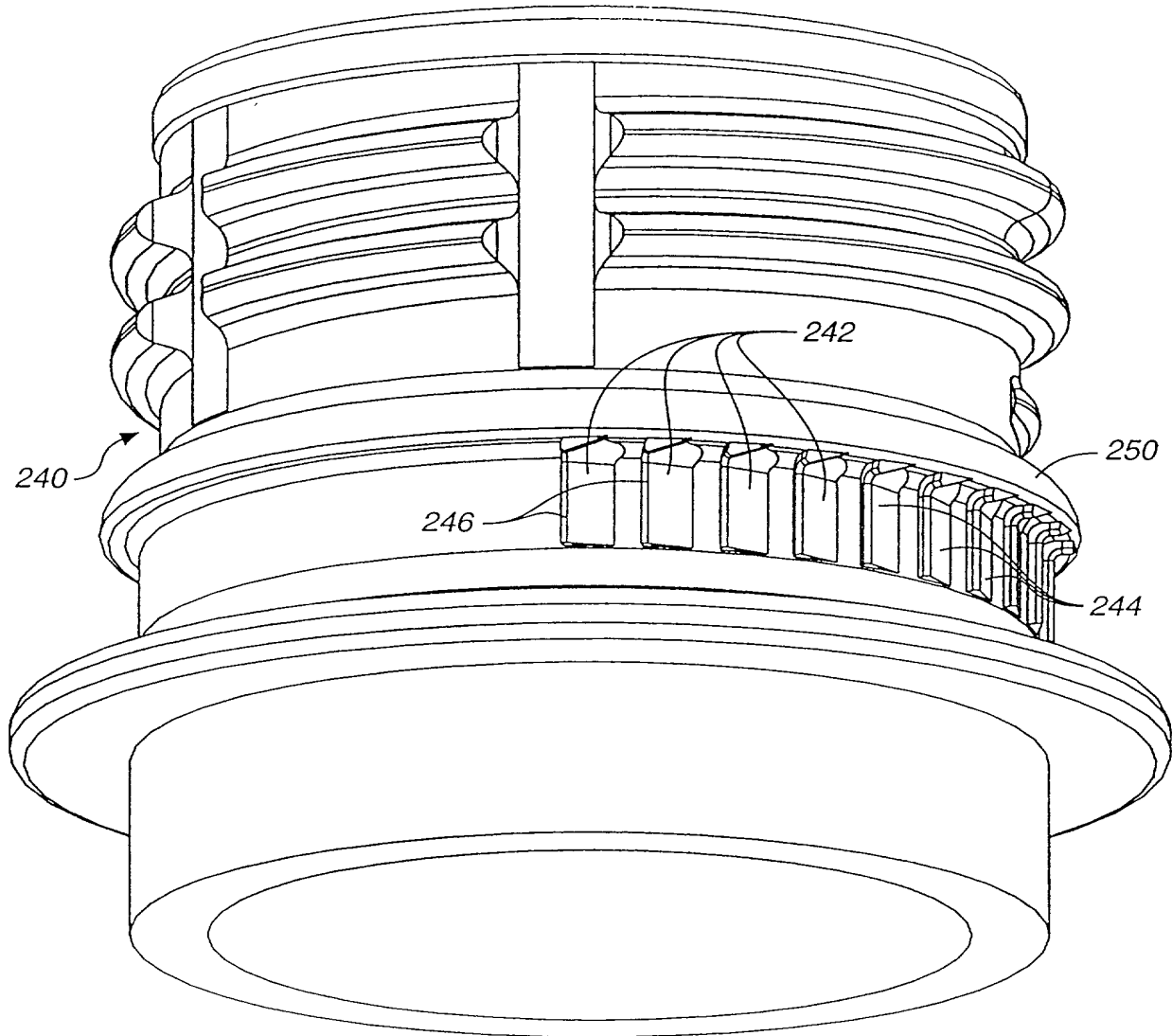


FIG. 15

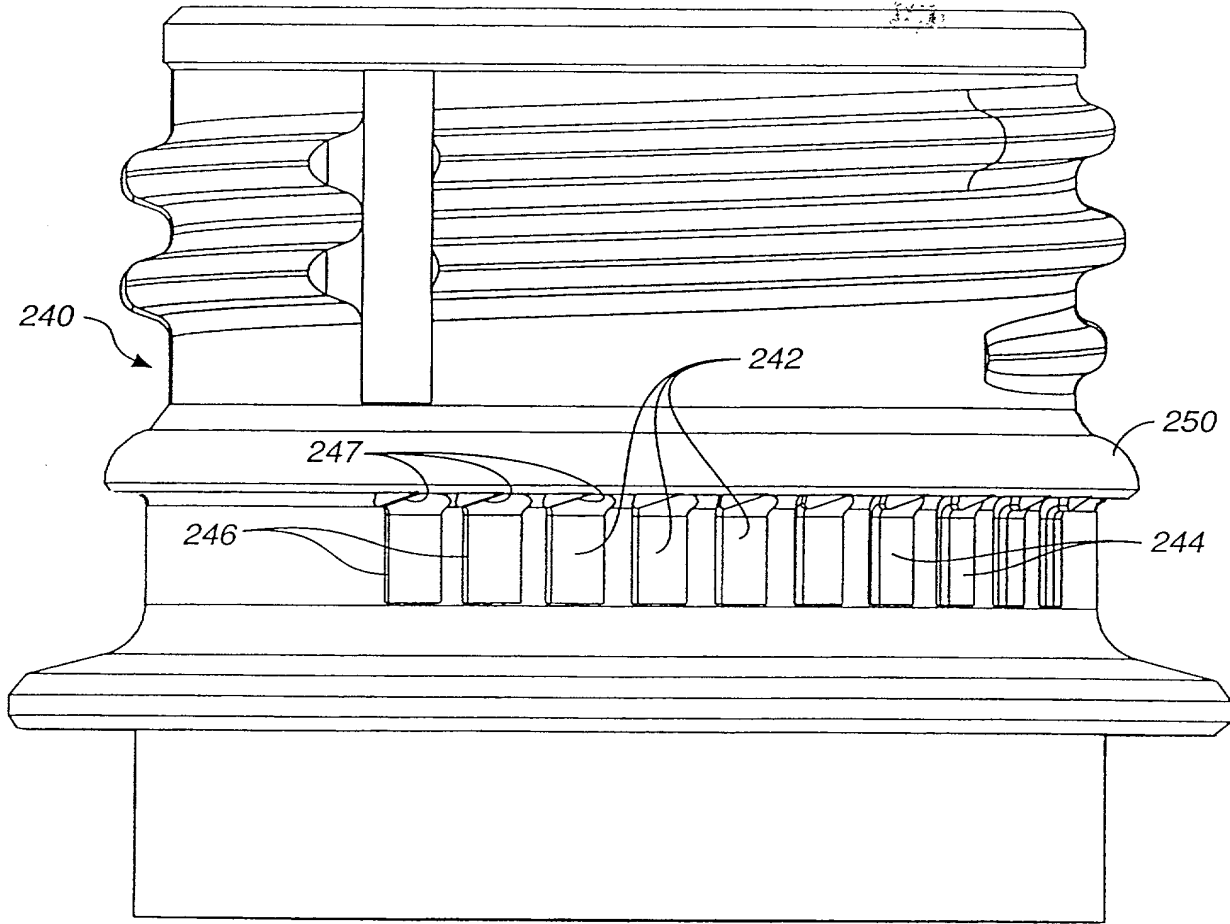


FIG. 16

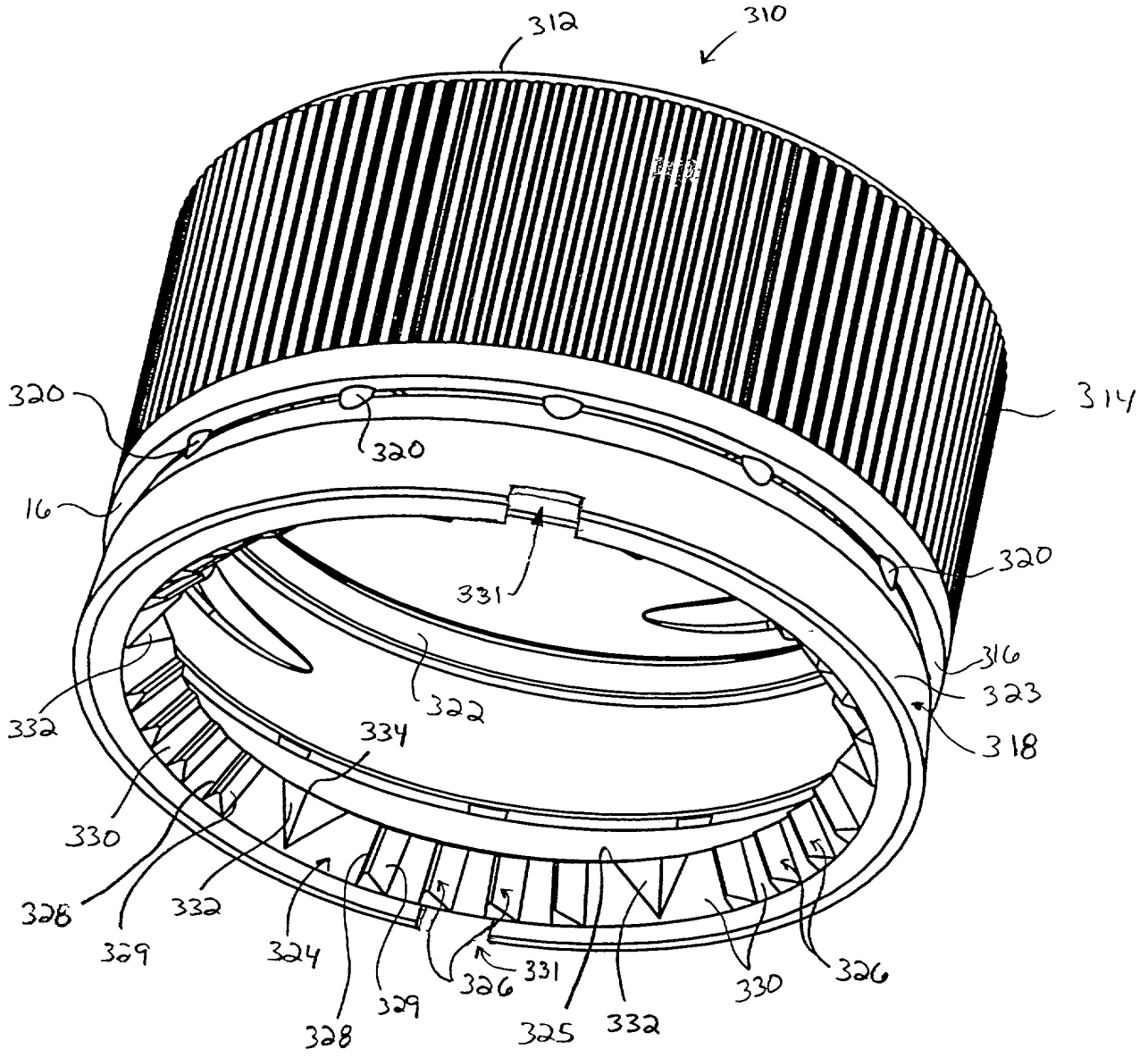


FIG 17

FILED "4435550

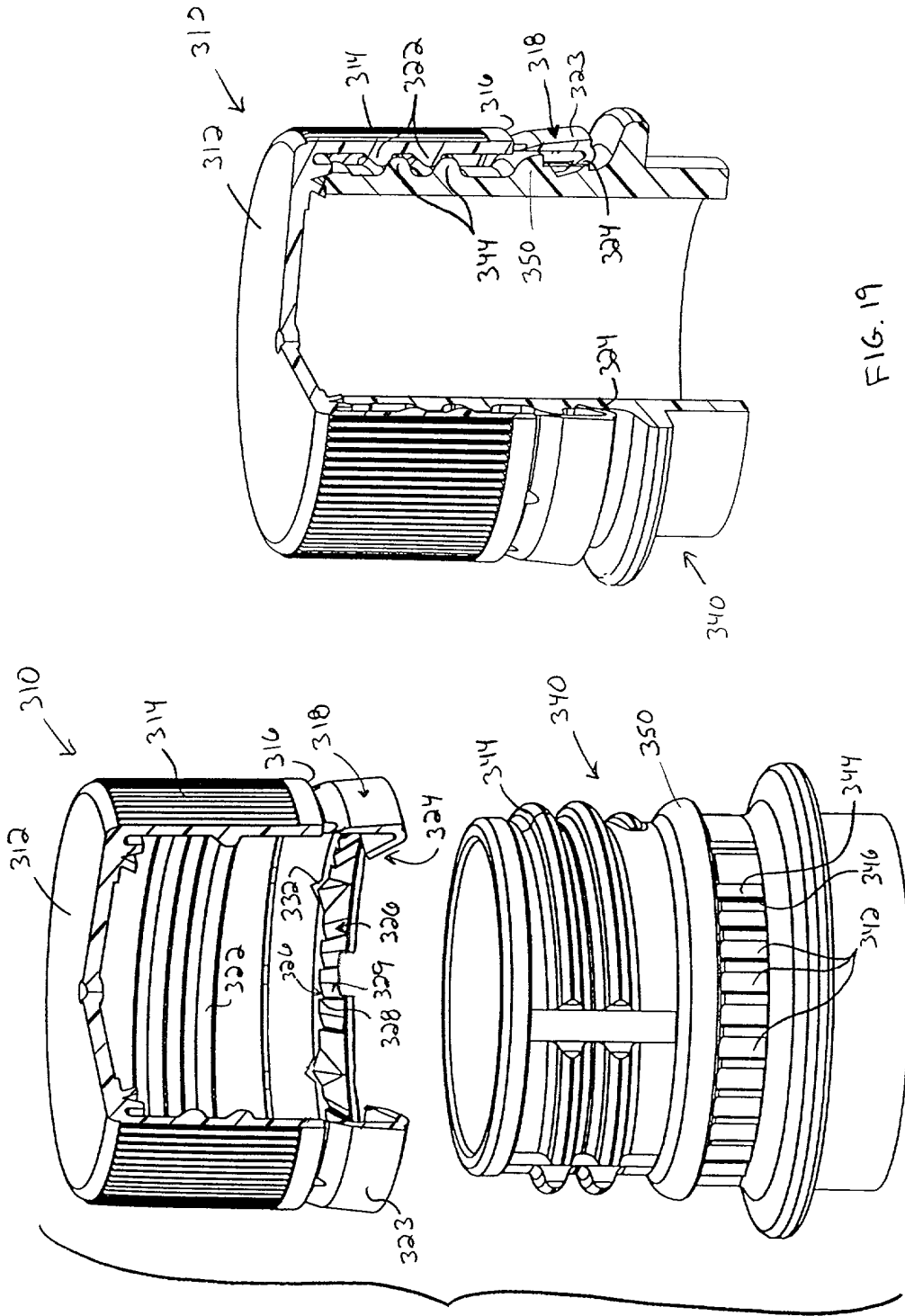


FIG. 18

FIG. 19